

MODEL AL-450-GPIB-3 MULTI-PHASE PROGRAMMABLE POWER SOURCE

The model **AL-450-GPIB-3** power source is a PC 3-phase controlled programmable AC power supply. It includes a 3-phase oscillator which can be interfaced via GPIB; three wide band, full complimentary class AB linear power amplifiers. It is equipped with amplitude control, frequency control, phase control, open/closed loop control, external sync, and output enabled/disabled functions. Typical application of these phase angle adjustable multi-channel power sources are in military research and industrial test fields.

Specifications of Model AL-450-GPIB-3 Programmable Power Sources

Output:

Output Power:	150 watts per channel, 3 channels (450 watts total)
Output Volts:	0-25 V rms. adjustable (defaulted) per channel (up to 65 V rms. 135 V rms. and 260 V rms. when specified, at additional charge)
Number of Output Channels:	3 (expandable to 6)
Output Frequencies:	30 Hz to 20K Hz adjustable at 0.01Hz increment
Output Phases:	0-360.0° adjustable at 0.1° increment
Sync Function:	External Sync. (0.2-1 V rms. sync. input signal required)
Output Waveform:	Sine wave and square wave
Closed-Loop Feedback:	Closed-loop feedback function equipped on all 3 channels (0-1V rms.)
Maximum Output Current:	6 A rms. per channel
Output Distortion:	1% T.H.D.
Hum and Noise:	-60dB below full output
Short Circuit Protection:	Input line circuit breaker; Output fuse
Thermal Protection:	Auto-reset thermostat prevents heat damage
Power Factor Range:	+0.7 to -0.7 for full power; to zero @ reduced power

Control Methods: PC control via GPIB Interface

1. Amplitude Control: 0-25 V rms. at 25 mV resolution
Sample Code: AMPL 1.000
2. Frequency Control: 30 Hz to 20K Hz at 0.01 Hz resolution
Sample Code: FREQ 1000.00
3. Output Phase Control: 0-360.0° at 0.1° increment steps
Sample Code: PHAS 120.0
4. Closed-loop Feedback Control: Closed-loop feedback signal (0-1V rms.)
Sample Code: LOOP CLOS
5. Output Enabled/Disabled: All 3 channels can be set ON/Off individually
Sample Code: OUTP ON

Demo Program:

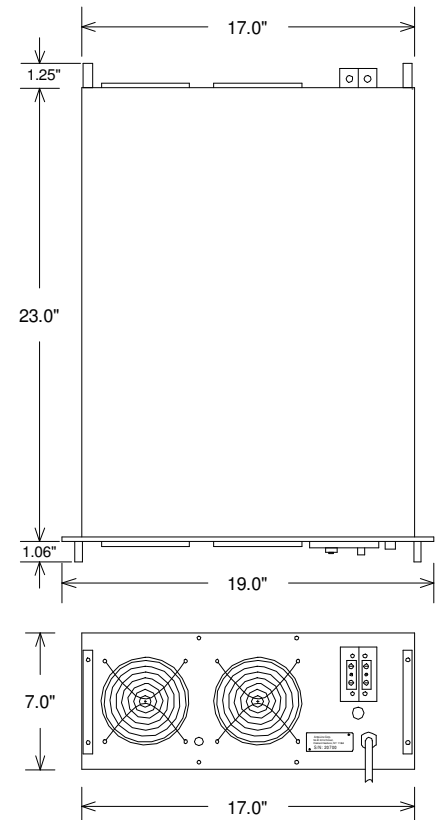
A Demo program will be provided along with shipment of order.

Input Power:

Power Efficiency:	45%
Input Power Req.:	120 V AC 60 Hz (Default) or 230 V AC, 50 Hz (Specified)
Input Line Ampere Req.:	9A @ 120 V AC; 4.5 A @ 230 V AC

Other Specifications:

Dimensions:	7.0"H X 19"W X 23"D
Weight:	65 lbs
Cooling Method:	Internal fan (Intake-front; Output-rear)
Operating Temp Range:	-20 to 140 deg F
Storage Temp Range:	-40 to 170 deg F



Amp-Line Corp.

3 Amethyst Court
West Nyack, NY 10994
Tel: (845)-623-3288 Fax: (845)-623-3369

E-mail: sales@amp-line.com
Web site: www.amp-line.com