

## MODEL AL-200-CR-L/S AC CONSTANT CURRENT SOURCE

Constant current sources provide a steady output current independent of the load and input power line with variations. Usage of these constant sources include generating magnetic fields, testing and qualifying products such as circuit breakers, relays, transformers, watt-hour meters, etc.

The model AL-200-CR-L/S constant current source includes a full complimentary linear transconductance power amplifier, a 60 Hz (50 Hz and 400 Hz can be specified also) built-in oscillator and an output transformer. It outputs an adjustable sine wave AC constant current. The output frequency of this model is fixed and defaulted at 60 Hz (or 50 Hz / 400 Hz).

### Specifications of model AL-200-CR-L/S Constant Current Power Source

#### Output:

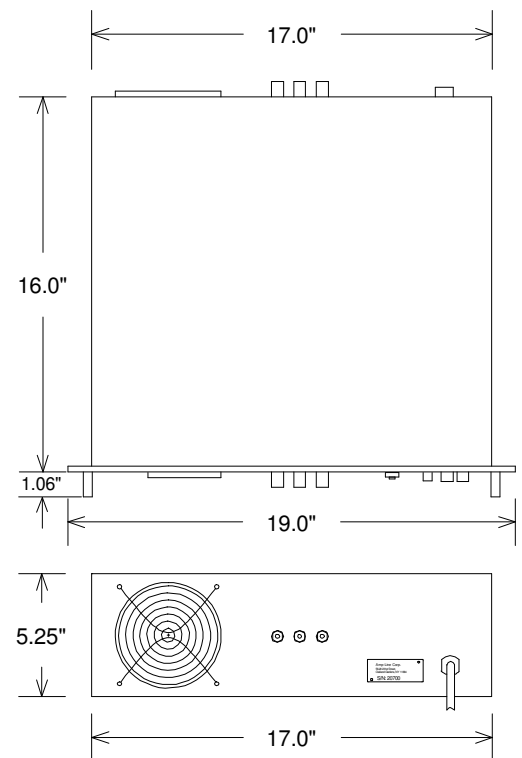
Output Power: 200 watts continuous  
Output Current: 0 – 2 A rms. @ 100 V compliance volts  
0 – 20 A rms. @ 10 V compliance volts  
Output Frequency: 60 Hz (+/- 0.2Hz) fixed; (50 and 400 Hz can be specified as defaulted output frequencies also.)  
Output Waveform: sine wave  
Current Regulation: 1% load regulation or better;  
0.1% line regulation or better  
Output Distortion: 1% T.H.D.  
Hum and Noise: -60dB below full output  
Output Terminal: 5-way binding posts on front and back panels  
Thermal Protection: auto-reset thermostat prevents heat damage  
Short Circuit Protection: Input line circuit breaker  
Power Factor Range: +0.7 to -0.7 for full power;  
to zero @ reduced power

#### Input Power:

Power Efficiency: 45%  
Input Power: 120 V AC 60 Hz (Defaulted)  
Input Line Current Req.: 6 A @ 120 V AC

#### Other Specifications:

Dimensions: 5.25"H X 19"W X 17"D  
Weight: 55 lbs  
Cooling Method: Air force fan on back panel  
Operating Temp Range: -20 to 140 deg F  
Storage Temp Range: -40 to 170 deg F



- Note:** 1. Custom output current range can be specified at no additional cost.  
2. Custom output frequency (less than 2k Hz) can be specified at no additional cost.

#### Purchase Options (at additional cost):

- 0-10V DC Controller  
(Output current amplitude will be controlled by a 0-10V DC control signal. Control signal input BNC connector locates on front panel.)
- 0-10V DC Output Monitoring Circuit  
(Output terminals are 5-way binding posts on front panel.)
- Dual output frequencies are available at request.
- Square wave output is available at request.
- Higher output frequency (2K Hz to 20K Hz) is available at request.

### **Amp-Line Corp.**

3 Amethyst Court  
West Nyack, NY 10994  
Tel: (845)-623-3288 Fax: (845)-623-3369

E-mail: [sales@amp-line.com](mailto:sales@amp-line.com)  
Web site: [www.amp-line.com](http://www.amp-line.com)