

## MODEL AL-200-CR-L/A CONSTANT CURRENT AMPLIFIER

Constant current sources and transconductance amplifiers provide a steady output current independent of the load and input power line with variations. Usage of these constant sources and amplifiers include generating magnetic fields, testing and qualifying products such as circuit breakers, relays, transformers, watt-hour meters, etc.

The model AL-200-CR-L/A constant current amplifier takes a sine wave input signal and amplifies it into an adjustable constant output current. The output current is in proportional to the amplitude of the input signal.

### Specifications of model AL-200-CR-L/A Power Amplifier

**Input Signal:** 0 - 1 V rms. (47 Hz to 2K Hz sine wave)

#### Output:

Output Power: 200 watts continuous

Output Current: 0 – 2 A rms. @ 100 V compliance volts  
0 – 20 A rms. @ 10 V compliance volts

Frequency Response: 47 Hz to 2K Hz

Current Regulation: 1% load regulation or better;  
0.1% line regulation or better

Output Distortion: 1% T.H.D.

Hum and Noise: -60dB below full output

Output Terminal: 5-way binding posts on front and back panels

Thermal Protection: auto-reset thermostat prevents  
heat damage

Short Circuit Protection: input line circuit breaker

Power Factor Range: +0.7 to -0.7 for full power;  
to zero @ reduced power

#### Input Power:

Power Efficiency: 45%

Input Power: 120 V AC 60 Hz (Defaulted)

Input Line Current Req.: 5 A @ 120 V AC

#### Other Specifications:

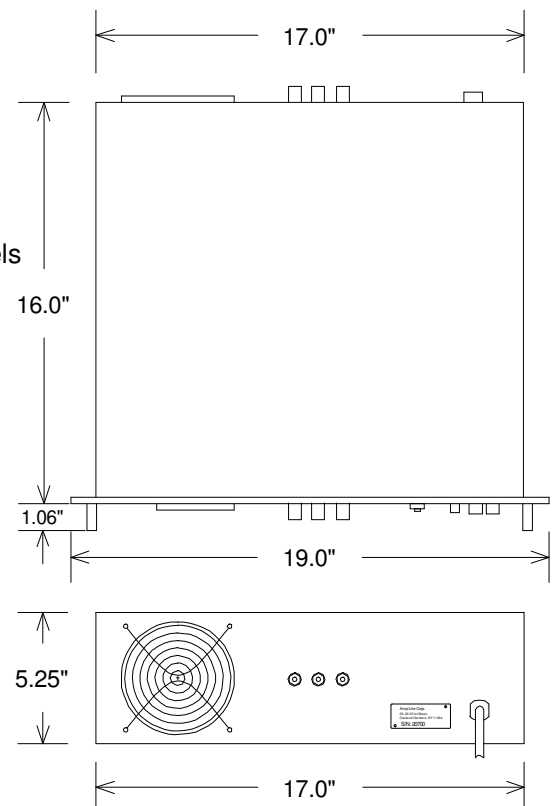
Dimensions: 5.25"H X 19"W X 17"D

Weight: 55 lbs

Cooling Method: air force fan on rear panel

Operating Temp Range: -20 to 140 deg F

Storage Temp Range: -40 to 170 deg F



**Note:** 1. Custom output current range can be specified at no additional cost.

2. Square wave signals can be used as input signal at reduced frequency range.

#### Purchase Options (at additional cost):

- 0-10V DC Output Monitoring Circuit (Output terminals are 5-way binding posts on front panel.)
- Higher output frequency response (2K Hz to 10K Hz or higher) is available at request.

### Amp-Line Corp.

3 Amethyst Court  
West Nyack, NY 10994  
Tel: (845)-623-3288 Fax: (845)-623-3369

E-mail: [sales@amp-line.com](mailto:sales@amp-line.com)  
Web site: [www.amp-line.com](http://www.amp-line.com)