

MODEL AL-500-HF-A-CR HIGH FREQUENCY POWER AMPLIFIER

The model AL-500-HF-A-CR power amplifier is a transconductance, wide-band, full complimentary class AB linear amplifier. The output impedance is zero ohm because of the negative feedback. Our customers use the amplifiers for plasma excitation, induction heating, EMC testing, EMI testing, magnetic field generation and testing products such as Helmholtz coils, piezo elements, inductors, capacitors and so on. Our power ratings are for continuous duty at full power with +0.7 to -0.7 power factor.

Model AL-500-HF-A-CR Power Amplifier Specifications

Output:

Output Power:	500 watts
Output Current:	0-20 A rms. @ 25 V Compliance Volts (Optional external output transformers to other Current are available at additional charge.)
Frequency Range:	20 Hz to 100K Hz
Output Regulation:	1% Load @ mid-band (50 Hz - 10K Hz), 1% Line (standard Volts +/-12%)
Output Distortion:	1% T.H.D. @ mid-band (50 Hz - 10K Hz)
Hum and Noise:	-40dB below full output
Short Circuit Protection:	Input line circuit breaker
Thermal Protection:	Auto-reset thermostat prevents heat damage
Power Factor Range:	+0.7 to -0.7 for full power; to zero @ reduced power

Input Signal:

Input Signal Req.:	0-2 V rms.
Input Impedance:	5K ohm
Input Waveform:	Sine Wave (Square and triangle waveforms will work at less bandwidth.)

Input Power:

Power Efficiency:	45%
Input Power Req.:	120 V AC 60 Hz (Default) or 230 V, 60 Hz
Input Line Ampere Requirement:	10 A @ 120 V AC or 5 A @ 230 V AC

Other Specifications:

Dimensions:	7"H X 19"W X 23"D
Weight:	85 lbs
Cooling Method:	Internal fans (Intake-front; Output-rear)
Operating Temp Range:	-20 to 140 deg F
Storage Temp Range:	-40 to 170 deg F

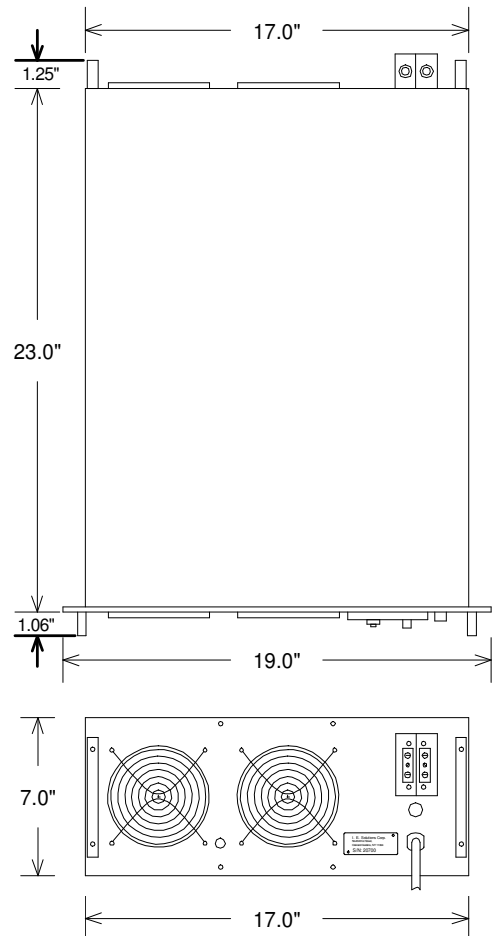
Options:

1. DC Coupling

Normally our power amplifiers are AC coupled and usually supplied by us with output transformers to provide the voltage ranges specified by the customer. However, if specified the power amplifier amplifiers can be DC coupled. As a result, the frequency response of the power amplifiers will be DC to 100K Hz at 0-20 A rms.

2. Output Transformers

Our output transformers can go up to 3K V rms. or 400 A, depending on desired frequency range. Consult factory for information on our standard or custom output transformers.



Amp-Line Corp.

3 Amethyst Court
West Nyack, NY 10994
Tel: (845)-623-3288 Fax: (845)-623-3369

E-mail: sales@amp-line.com
Web site: www.amp-line.com