

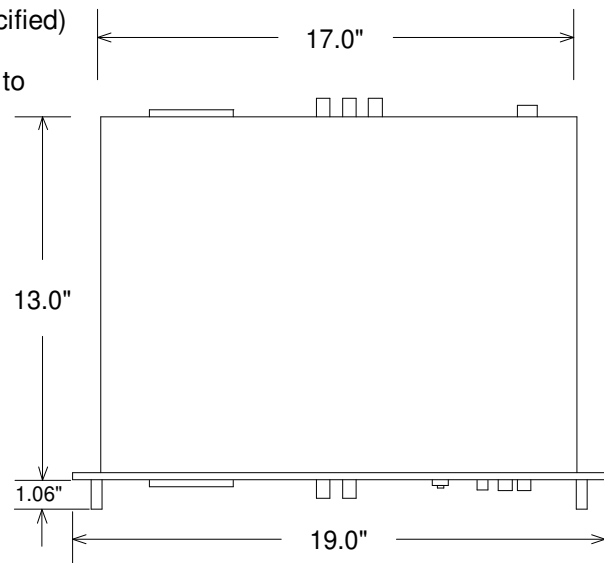
## MODEL AL-50-FC-XXX FREQUENCY CONVERTER

The model **AL-50-FC-XXX** frequency converter is a linear circuitry frequency converter. Customers can specify their input and output frequencies and voltage. Output frequency is fixed frequency which customer can pick from the frequency range of 40 Hz to 20K Hz. The output frequency should be shown as part of the part number. For example, AL-50-FC-400 means the output frequency is 400 Hz (400 Hz is a most frequent used output frequency due to the aerospace applications). The power ratings of our frequency converters are for continuous duty at full power with +0.7 to -0.7 power factor.

### Model AL-50-FC-XXX Power Amplifier Specifications

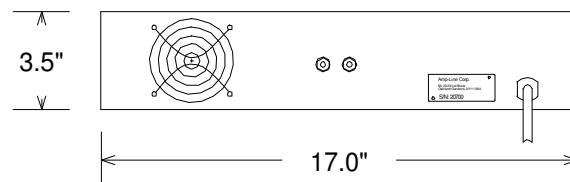
#### Output:

Output Power:	50 watts
Output Volts:	0-130 V rms. or 0-260 V rms. adjustable (unless otherwise specified)
Output Frequency:	Customer Specified (Fixed frequency picked between 40 Hz to 20K Hz)
Output Waveform:	Sine wave
Output Regulation:	1% Load, .2% Line
Output Distortion:	0.5% T.H.D. or better
Hum and Noise:	-60dB below full output
Output Impedance:	Zero ohm
Output Volt Meter:	2% front panel analog Meter
Short Circuit Protection:	Input line circuit breaker Output resettable fuse
Thermal Protection:	Auto-reset thermostat prevents heat damage
Power Factor Range:	+0.7 to -0.7 for full power; to zero @ reduced power
Output Enable/Disable:	Back panel closed/open contact to enable/disable output signal



#### Input Power:

Input voltage and frequency	can be specified by customer. (Default at 120 V AC 60 Hz.)
Power Efficiency:	50%



#### Other Specifications:

Dimensions:	3.5"H X 19"W X 13"D
Weight:	25 lbs
Cooling Method:	Internal heatsink and ventilation
Input Connection:	
Output Connection:	
Operating Temp Range:	-20 to 140 deg F
Storage Temp Range:	-40 to 170 deg F

#### Applications:

The output frequency of our frequency converter can be picked from the frequency range of 40 Hz to 20K Hz. Hence, besides being used for export testing, operating equipment manufactured in a foreign country and avionic applications, our frequency converter can be widely used in manufacturing industries and research laboratories where higher frequencies are needed for special testing.