

MODEL AL-200-CR-H CONSTANT CURRENT SOURCE / AMPLIFIER

Constant current sources and transconductance amplifiers provide a steady output current independent of the load and input power line with variations. Usage of these constant sources and amplifiers include generating magnetic fields, testing and qualifying products such as circuit breakers, relays, transformers, watt-hour meters, etc.

The model AL-200-CR-H/S constant current source ("S" version) includes a full complimentary linear transconductance power amplifier and a 60Hz built-in oscillator. It outputs an adjustable sine wave output current. The output frequency of this model is fixed and defaulted at 60Hz. The model AL-200-CR-H/A transconductance amplifier ("A" version) doesn't have a built-in oscillator. It has a wideband output transformer instead. It takes an input signal from an external signal generator. It outputs a constant current in proportional to the amplitude of the input signal.

Specifications of model AL-200-CR-H/S Power Source and AL-200-CR-H/A Power Amplifier

Input Signal: 0 - 1.5 V rms. (for amplifier version "A")

Output:

Output Power: 200 watts continuous

Output Current: 0 – 40 A rms. @ 5 V compliance volts

0 – 100 A rms. @ 2 V compliance volts

Output Frequency: 60 Hz (+/- 0.2 Hz) fixed (for source version "S" only)

Frequency Response: 40 Hz to 4K Hz (for amplifier version "A" only)

Output Waveform: sine wave

Output Control: Front panel 10-turn pot and rear panel
0-10 V DC control ("S" version only)

Output Current Regulation: 1% load, 0.1% line

Output Distortion: 1% T.H.D.

Hum and Noise: -60dB below full output

Output Terminal: Panduit Rugs on back panel

Thermal Protection: auto-reset thermostat prevents
heat damage

Short Circuit Protection: Input line circuit breaker

Power Factor Range: +0.7 to -0.7 for full power;
to zero @ reduced power

Input Power:

Power Efficiency: 45%

Input Power: 120 V AC 60 Hz (Defaulted)

Input Line Ampere Requirement: 5 A @ 120 V AC

Other Specifications:

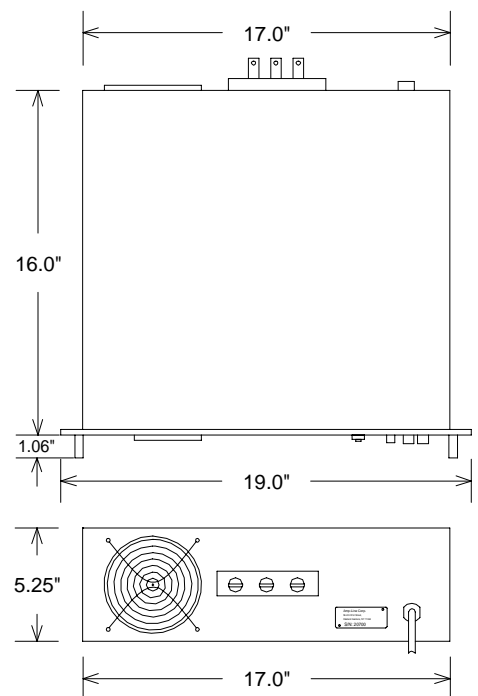
Dimensions: 7"H X 19"W X 16"D

Weight: 55 lbs

Cooling Method: air force fans on front panel

Operating Temp Range: -20 to 140 deg F

Storage Temp Range: -40 to 170 deg F



Note:

1. Square wave output is available at request.
2. Higher output frequency (than 4K Hz) is available at request.

Amp-Line Corp.

56-20 231st Street
Oakland Gardens, NY 11364
Tel: (718) 224-6272 Fax: (718) 224-1170

E-mail: sales@amp-line.com
Web site: www.amp-line.com