

MODEL AL-50-CV/S CONSTANT VOLTAGE SOURCE

The model **AL-50-CV/S** power source is a wide band, full complimentary class AB linear programmable power supply. The output impedance is ideally zero because of the negative feedback. It has its "Local Mode" controls and it is programmable through PC via RS232 or GPIB interfaces. Our customers use the amplifiers for plasma excitation, induction heating, magnetic field generation and testing products such as Helmholtz coils, piezo elements, inductors, capacitors and so on.

Specifications of Model AL-50-CV/S Programmable Constant Voltage Source

Output:

Output Power:	50 watts
Output Volts:	0-130 V rms. adjustable (defaulted), 0-65 V rms. and 0-260 V rms. jumper selectable
Frequency Range:	45 Hz to 20K Hz
Output Waveform:	Sine wave (Square and triangle waveforms will work at less bandwidth.)
Maximum Output Current:	0.4 A rms. @ 130 V rms. (0.8 A rms. @ 65 V rms.; 0.2 A rms. @ 260 V rms.)
Output Distortion:	1% T.H.D.
Hum and Noise:	-60dB below full output
Output Volt Meter:	2% front panel analog Meter
Short Circuit Protection:	Input line circuit breaker; Output fuse
Thermal Protection:	Auto-reset thermostat prevents heat damage
Power Factor Range:	+0.7 to -0.7 for full power; to zero @ reduced power

Control Methods:

1. Basic Version:

- Local Amplitude Control: 10-turn front panel locking pot with dial to control output amplitude from 0 to max.
- Local Frequency Control: 7-position push-wheel switch to adjust frequency from 45.00 Hz to 20,000.00 Hz
- Remote Amplitude Control: 0-10V DC to control output amplitude from 0 to max.

2. RS232 and GPIB Controlled Versions

In the "Remote" mode, we offer "RS232" and "GPIB" control options to replace the "0-10V DC" control method if specified. (Please add "-RS232" or "-GPIB" at the end of the part number when ordering.)

3. Closed-loop Feedback and External Synchronization Functions

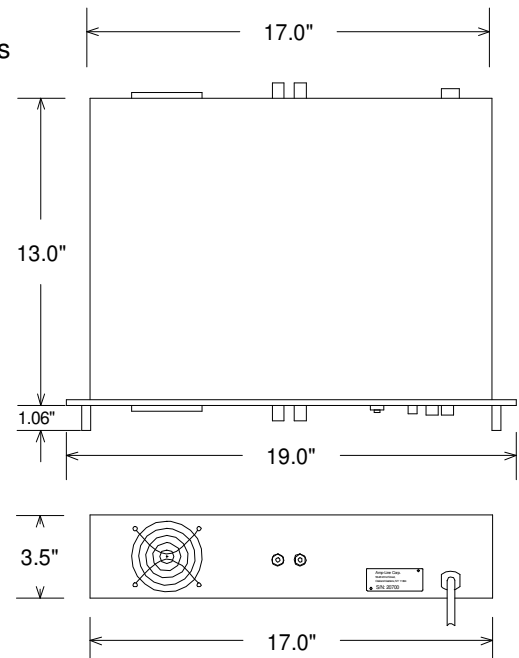
In both "Local" and "Remote" modes, our constant voltage sources are equipped with Closed-loop Feedback function and External Synchronization functions.

Input Power:

Power Efficiency:	45%
Input Power Req.:	120 V AC 60 Hz (Default) or 230 V AC, 50 Hz
Input Line Ampere Req.:	2.5 A @ 120 V AC; 1.25 A @ 230 V AC

Other Specifications:

Dimensions:	3.5"H X 19"W X 14"D
Weight:	35 lbs
Cooling Method:	Internal fan (Intake-rear; Output-sides)
Operating Temp Range:	-20 to 140 deg F
Storage Temp Range:	-40 to 170 deg F



Amp-Line Corp.

3 Amethyst Court
West Nyack, NY 10994
Tel: (845)-623-3288 Fax: (845)-623-3369

E-mail: sales@amp-line.com
Web site: www.amp-line.com