

# MODEL AL-150-CV/A CONSTANT VOLTAGE MODE POWER AMPLIFIER

The model **AL-150-CV/A** power amplifier is a solid state, wideband, full complimentary class AB linear amplifier. The output impedance is ideally zero because of the negative feedback. Our customers use the amplifiers for plasma excitation, induction heating, magnetic field generation and testing products such as Helmholtz coils, piezo elements, inductors, capacitors and so on. Our power ratings are for continuous duty at full power with +0.7 to -0.7 power factor.

## Specifications of Model AL-150-CV/A Power Amplifiers

### Output:

Output Power: 150 watts  
Output Volts: 0-130 V rms. adjustable (defaulted), 0-65 V rms. and 0-260 V rms. jumper selectable  
Frequency Response: 45 Hz to 20K Hz  
Maximum Output Current: 1.15 A rms. @ 130 V rms. (2.31 A rms. @ 65 V rms.; 0.58 A rms. @ 260 V rms.)  
Output Distortion: 1% T.H.D.  
Hum and Noise: -60dB below full output  
Output Volt Meter: 2% front panel analog Meter  
Short Circuit Protection: Input line circuit breaker; Output fuse  
Thermal Protection: Auto-reset thermostat prevents heat damage  
Power Factor Range: +0.7 to -0.7 for full power; to zero @ reduced power

### Input Signal:

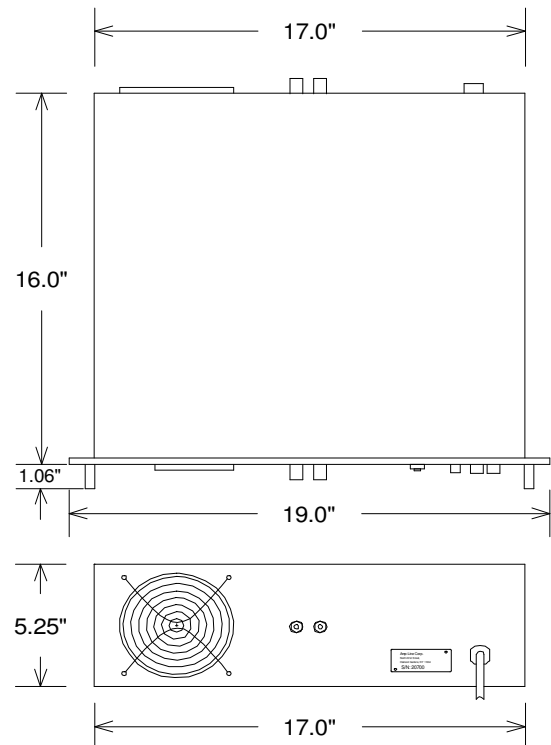
Input Signal Req.: 0-1 V rms.  
Input Impedance: 5K ohm  
Input Waveform: Sine Wave (Square and triangle waveforms will work at less bandwidth.)

### Input Power:

Power Efficiency: 45%  
Input Power Req.: 120 V AC 60 Hz (Defaulted); or 230 V AC, 50 Hz (Specified)  
Input Line Ampere Req.: 3 A @ 120 V AC; 1.5 A @ 230 V AC

### Other Specifications:

Dimensions: 5.25"H X 19"W X 17"D  
Weight: 40 lbs  
Cooling Method: Internal fan (Intake-rear; Output-sides)  
Operating Temp Range: -20 to 140 deg F  
Storage Temp Range: -40 to 170 deg F



## Amp-Line Corp.

3 Amethyst Court  
West Nyack, NY 10994  
Tel: (845)-623-3288 Fax: (845)-623-3369

E-mail: [sales@amp-line.com](mailto:sales@amp-line.com)  
Web site: [www.amp-line.com](http://www.amp-line.com)