

MODEL AL-300-FC-XXX FREQUENCY CONVERTER

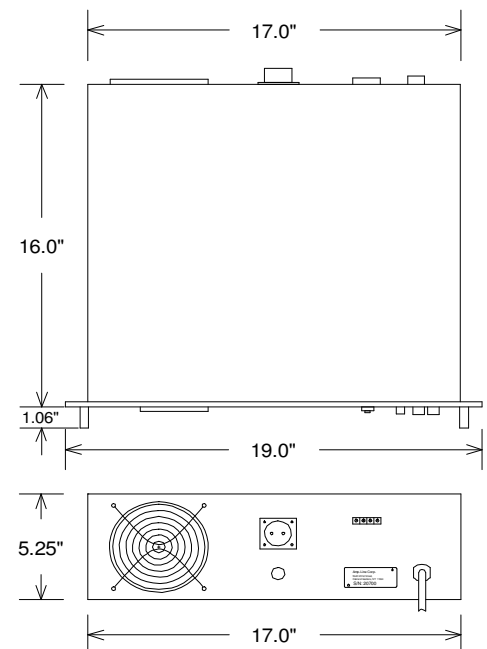
The model AL-300-FC-XXX frequency converter is an AC power source designed with linear circuits. Customers can specify their input and output frequencies and voltages. The output frequency is fixed. Customers can specify the frequency in the range of 45 Hz - 20K Hz. The output frequency will be shown as part of the model number, for example, AL-300-FC-400 indicates that the output frequency is 400 Hz.

Specifications of model AL-300-FC-XXX Frequency Converter (Power Source)

Output:

Output Power:	300 watts
Output Volts:	0-130 V rms. or 0-260 V rms. adjustable (unless otherwise specified)
Output Frequency:	Customer Specified (Fixed frequency in the range of 45 Hz - 20K Hz)
Output Waveform:	Sine wave
Output Regulation:	1% Load Regulation, .1% Line Regulation
Output Distortion:	0.5% T.H.D.
Hum and Noise:	-65 dB below full output or better
Output Volt Meter:	Front panel analog meter
Output Amplitude Control:	10-turn lockable pot on front panel
Output ON/OFF Control:	Back panel closed/open contact to enable/disable output signal
Short Circuit Protection:	Input line circuit breaker Internal output fuse
Thermal Protection:	Auto-reset thermostat prevents heat damage
Power Factor Range:	+0.7 to -0.7 for full power; to zero @ reduced power

Dimension Drawing



Input Power:

Input voltage and frequency will be specified by customers.

Power Efficiency:	45% max.
-------------------	----------

Other Specifications:

Dimensions:	5.25"H X 19"W X 16"D
Weight:	50 lbs approx.
Cooling Method:	Internal fan (Intake-rear; Output-sides)
Output Connection:	Amphenol MS3102A Connector (mating connector provided)
Operating Temp Range:	20 to 140 deg F
Storage Temp Range:	-40 to 170 deg F

Purchase Option(s):

1. Purchase Option 101: 0-10 V DC Remote Control Option (Add "-C0/10" at the end of the model number.)

Applications:

The output frequency of our frequency converters can be specified in the frequency range of 45 Hz to 20K Hz. Thus, besides being used for export testing, operating equipment manufactured in a foreign country and avionic applications, our frequency converters can be widely used in manufacturing industries and research laboratories where higher frequencies are needed for special testing.